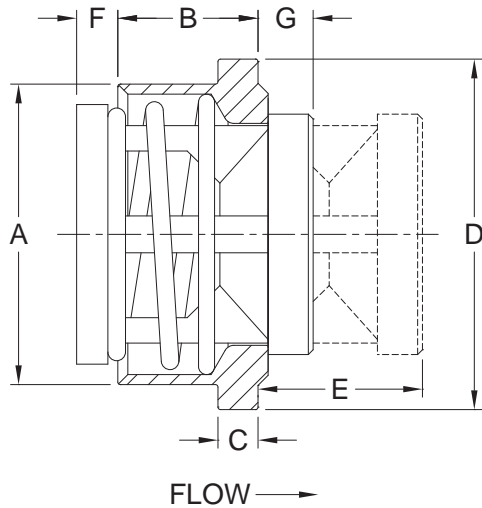


The **Straight Sided Insert (SI)** is a **threadless** check valve designed to be inserted into any cavity where a check valve is needed and threads are not desired. Consult the factory if your application requires tolerancing for a press fit installation.

**PED Conformance Statement:** Due to the unique design of the **Straight Sided Insert Valve**, this series is not considered a pressure vessel, but rather a gasket. According to PED Guideline 1/8, gaskets are not governed by the Pressure Equipment Directive. As a result, the SI series is available for sale in the European Community and no CE Mark is required.



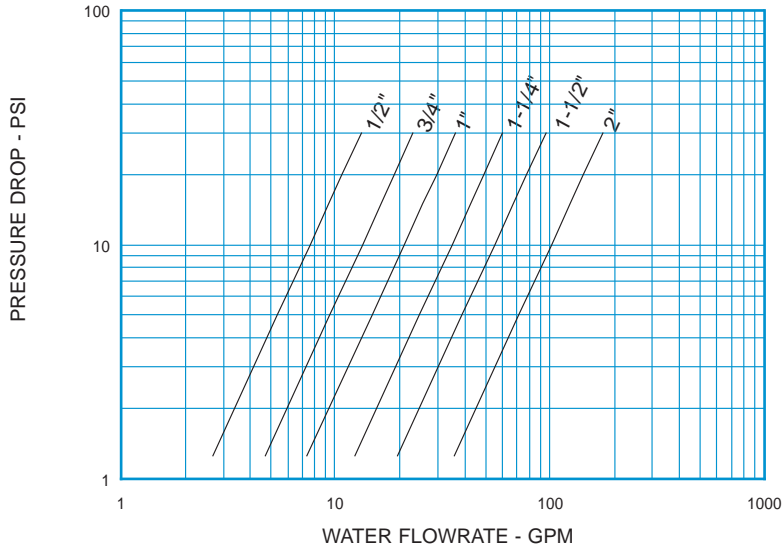
Nom. Pipe Size	Size Code	A	B	C	D	E <sup>①</sup>	F	G	Orifice Diameter
1/2	D	0.656	0.56	0.16	0.718	0.53	0.01	0.031	0.348
3/4	F	0.780	0.59	0.16	0.900	0.61	0.00	0.063	0.464
1	H	1.000	0.69	0.19	1.125	0.78	0.11	0.063	0.593
1-1/4	I	1.312	0.81	0.19	1.500	0.85	0.09	0.063	0.890
1-1/2	J	1.625	0.88	0.25	1.781	1.01	0.15	0.063	1.135
2	K	1.875	0.88	0.25	2.187	1.19	0.70	0.063	1.385

<sup>①</sup>Maximum nominal dimension for a fully open valve with no spring.

Body Material <sup>②</sup>	Availability	Non-Shock Pressure-Temperature Rating
316 Stainless Steel (SS)	Standard	3000 PSIG @ 100°F (1500 PSIG for o-ring seats)
Carbon Steel (CS)		
Brass (BR)		
ALLOY 20 (A2)	Semi-standard	
Hastelloy <sup>®</sup> C (HC)		
Monel <sup>®</sup> (MO)		
Hastelloy <sup>®</sup> B (HB)	Contact the factory for these or other materials.	
Titanium (TI)		

<sup>②</sup>See page 53 for material grade information.

**Straight Sided Insert**  
For Water at 72°F

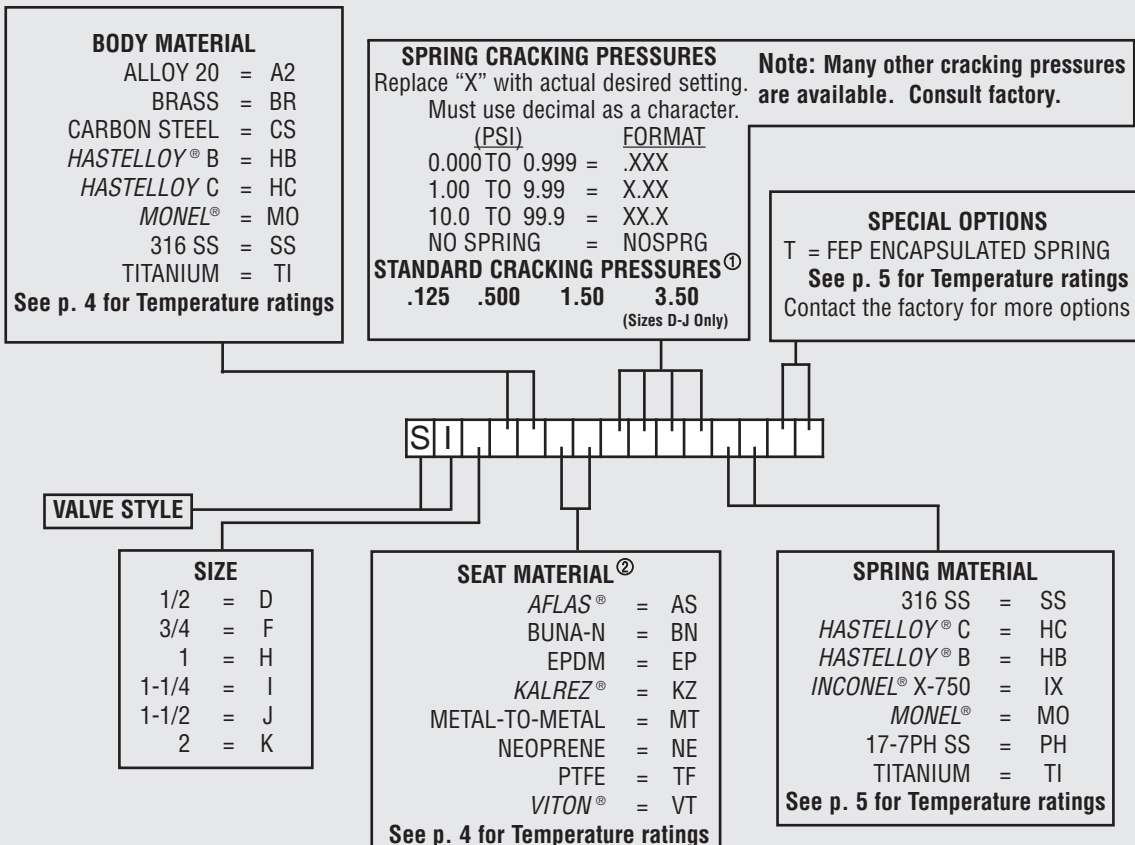


**Note:** All flow curves and Cv values presume the valves are fully open with 1/2 PSI cracking pressure springs. Consult the factory for more information.

STYLE SI (SSI) C <sub>v</sub> VALUES & VALVE WEIGHTS		
C <sub>v</sub>	SIZE	ALL MATERIALS
2.4	1/2	0.6 oz.
4.2	3/4	1.0 oz.
6.6	1	1.7 oz.
11.0	1-1/4	3.3 oz.
17.4	1-1/2	5.3 oz.
32.0	2	8.2 oz.

See page 48 for Flow Formulae  
Valve weights are approximate.

## HOW TO ORDER CHECK-ALL STYLE SI (SSI)



Listed above are the most common material selections. Please contact the factory for additional options.

<sup>①</sup>.500 PSI is the only standard cracking pressure for spring materials other than Stainless Steel. Cracking pressure tolerance is +/- 15%. .125 PSI springs are not recommended for installations with flow vertical down.

<sup>②</sup>Seat materials other than metal-to-metal have a maximum pressure rating of 1500 PSI. PTFE seats are not resilient. See page 49 for allowable leakage rates.